



US010653720B2

(12) **United States Patent**
Burd

(10) **Patent No.:** **US 10,653,720 B2**
(45) **Date of Patent:** **May 19, 2020**

(54) **PREVENTION OF PROTEIN GLYCATION
USING LYSINE/ZINC SUPPLEMENTS**

(71) Applicant: **Lysulin, Inc.**, San Diego, CA (US)

(72) Inventor: **John Burd**, San Diego, CA (US)

(73) Assignee: **Lysulin, Inc.**, San Diego, CA (US)

(*) Notice: Subject to any disclaimer, the term of this patent is extended or adjusted under 35 U.S.C. 154(b) by 0 days.

2014/0256806 A1 9/2014 Tanaka
2014/0363896 A1* 12/2014 Suzuki G01N 35/1004
436/175
2015/0038453 A1 2/2015 Hageman
2015/0160218 A1* 6/2015 Demirci G01N 33/54346
435/5
2015/0182483 A1* 7/2015 Goldberg A61K 31/198
514/564
2016/0263317 A1 9/2016 Arefieg
2017/0061823 A1* 3/2017 Cohen G16H 40/63
2017/0255758 A1 9/2017 Washko

FOREIGN PATENT DOCUMENTS

CN 10164268 A1 2/2010
CN 101642468 * 2/2010
CN 102772215 11/2012
CN 104138469 1/2014
WO 2004035074 A1 4/2004
WO 2005123108 A1 12/2005
WO 2008120797 A1 9/2008
WO 2010017190 A1 2/2010
WO 2011086507 A1 7/2011

(21) Appl. No.: **15/817,574**

(22) Filed: **Nov. 20, 2017**

(65) **Prior Publication Data**

US 2019/0134083 A1 May 9, 2019

Related U.S. Application Data

(60) Provisional application No. 62/581,573, filed on Nov. 3, 2017.

(51) **Int. Cl.**

A61K 33/30 (2006.01)
A23L 33/00 (2016.01)
A23L 33/175 (2016.01)
A23L 33/16 (2016.01)
G01N 33/66 (2006.01)
A61K 9/00 (2006.01)
A61K 31/198 (2006.01)
A61B 5/145 (2006.01)
A61B 5/00 (2006.01)
G08B 21/02 (2006.01)

(52) **U.S. Cl.**

CPC **A61K 33/30** (2013.01); **A23L 33/16** (2016.08); **A23L 33/175** (2016.08); **A23L 33/30** (2016.08); **A61B 5/14532** (2013.01); **A61B 5/4839** (2013.01); **A61K 9/0053** (2013.01); **A61K 31/198** (2013.01); **G01N 33/66** (2013.01); **A23V 2002/00** (2013.01); **G01N 2800/52** (2013.01); **G08B 21/02** (2013.01)

(58) **Field of Classification Search**

CPC **A61K 33/30**; **A61K 9/0053**; **A61K 31/198**; **A23L 33/30**; **A23L 33/175**; **A23L 33/16**; **G01N 33/66**; **A61B 5/14532**; **A61B 5/4839**

See application file for complete search history.

(56) **References Cited**

U.S. PATENT DOCUMENTS

8,060,249 B2 11/2011 Bear et al.
2003/0082074 A1 5/2003 Jurik et al.
2004/0060859 A1 4/2004 Seshimoto
2007/0238770 A1 10/2007 Gougoutas
2008/0004507 A1 1/2008 Williams, Jr.
2008/0014644 A1 1/2008 Barasch
2008/0027024 A1 1/2008 Gahler et al.
2013/0035563 A1 2/2013 Angelides
2014/0044828 A1 2/2014 Mine et al.
2014/0227371 A1 8/2014 Heath

OTHER PUBLICATIONS

Chen, CN 101642468; published: Feb. 10, 2010; English Machine translation obtained on May 14, 2018.*
Khayat, Y., "Anti-Glycation Supplements Part III (Glycation: Part II of II)," Perspectives on Health, Jan. 26, 2015 (Jan. 26, 2015), pp. 1-52. Retrieved from the internet: <https://yochanakhayat.wordpress.com/2015/01/26/anti-glycation-supplements-part-iii-glycation-part-ii-of-ii/> on Mar. 6, 2018 (Mar. 6, 2018). entire document.
International Search Report and Written Opinion corresponding to International PCT Application No. PCT/US2018/015587 dated Apr. 13, 2018.
NHS, Point-of-care Creatinine Testing for the Detection and Monitoring of Chronic Kidney Disease, Horizon Scan Report 0038, Mar. 2014.
Examine.com, "Zinc", published online: Nov. 1, 2016; obtained via Internet Archive Wayback Machine on Apr. 26, 2018.
Chen, CN 101642468; published: Feb. 10, 2010, English machine translation obtained on Apr. 26, 2018.
Hirabayashi et al., WO 2008/120797, Published Oct. 9, 2008, English machine translation obtained on Apr. 26, 2018.
National Institute for Health Research, "Point-of-Care Creatinine Testing for the Detection and Monitoring of Chronic Kidney Disease," NIHR Diagnostic Evidence Cooperative Oxford; Mar. 2014, p. 2 heading details of technology; p. 3, heading importance and table 1; p. 5, second paragraph.
NOVA Biomedical, "StatSensor Point-of-Care Whole Blood Creatinine and eGRF Testing," May 2008; [retrieved Mar. 8, 2018]. Retrieved from the Internet; <URL: http://novamed.dk/uf/30000_39999/38239/2027ea11fdbd525dde1c17d1ab983a44.pdf>; p. 2, photograph; p. 8, heading docking station.

(Continued)

Primary Examiner — Ali Soroush

Assistant Examiner — Genevieve S Alley

(74) Attorney, Agent, or Firm — Sheppard Mullin Richter & Hampton LLP

(57) **ABSTRACT**

A method of preventing protein glycation using a supplement may comprise: administering a supplement comprising lysine and zinc; monitoring a concentration of glucose before and after the supplement is administered in a bio-sample; and determining a change in a dose of the supplement based on the concentration of glucose found in the bio-sample.

8 Claims, 5 Drawing Sheets

(56)

References Cited

OTHER PUBLICATIONS

International Search Report and Written Opinion corresponding to International PCT Application PCT/US2018/015589 dated Mar. 22, 2018.

Medtronic “Guardian Real-Time Continuous Glucose Monitoring System” 2006; (retrieved Mar. 6, 2018).

International Search Report and Written Opinion corresponding to International PCT Application PCT/US2018/015593 dated Mar. 26, 2018.

Maurer, Dr. Richard, “HOMA-IR: What it is & why you should know yours,” The Blood Code, Sep. 20, 2016, <<https://www.thebloodcode.com/homa-ir-know/>>.

Nah et al., “Annals of Laboratory Medicine, Comparison of Urine Albumin-to-Creatinine Ratio (ACR) between ACR strip test and quantitative test in Prediabetes and Diabetes,” Jan. 2017.

Clinitek Advantus Analyzer, Siemens, Operator’s Guide, Jun. 2006. Sulochana et al., “Effect of oral supplementation of free amino acids in type 2 diabetic patients—a pilot clinical trial,” Medical Science Monitor, 2002, 8(3), CR131-137.

Healthy Care Australia, Product Label for Super Lysine Cold Sore Relief, <<http://healthycare.com.au/index.php/our-products/all-products/item/hc-super-lysine-cold-sore-relief-100-tablets>>.

Chen, English machine translation of CN101642468.

Hirabayashi, English machine translation of WO 2008/120797.

Zhu, English machine translation of CN 102772215.

Jayawardena et al., “Effects of zinc supplementation on diabetes mellitus: a systematic review and meta-analysis.” Diabetology & Metabolic Syndrome, 2012, pp. 1-15, <<http://www.ncbi.nlm.nih.gov/pmc/articles/PMC3407731/>>.

* cited by examiner

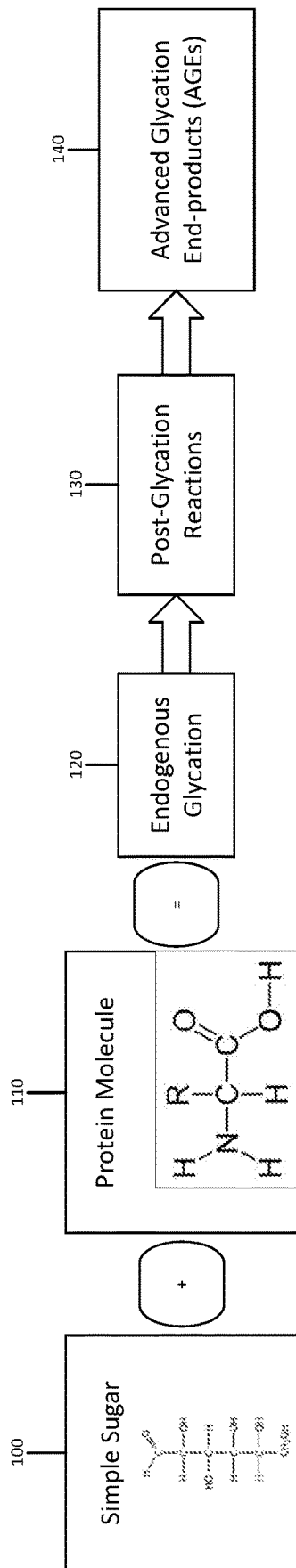


Fig. 1

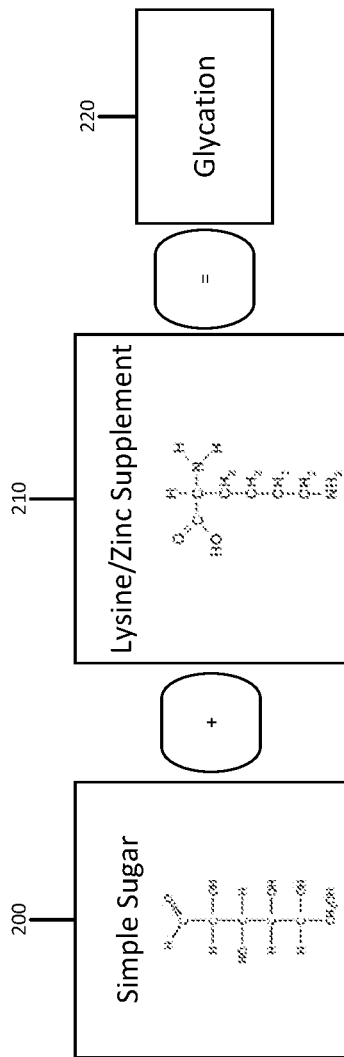


Fig. 2

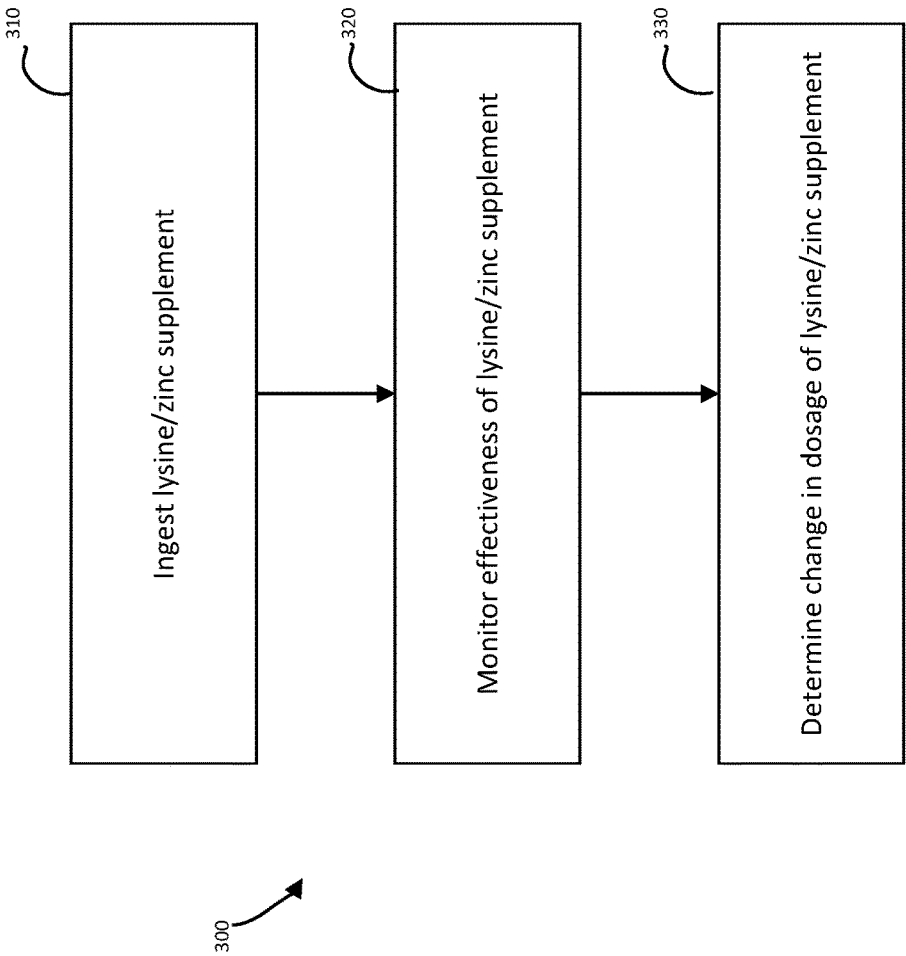


FIG. 3

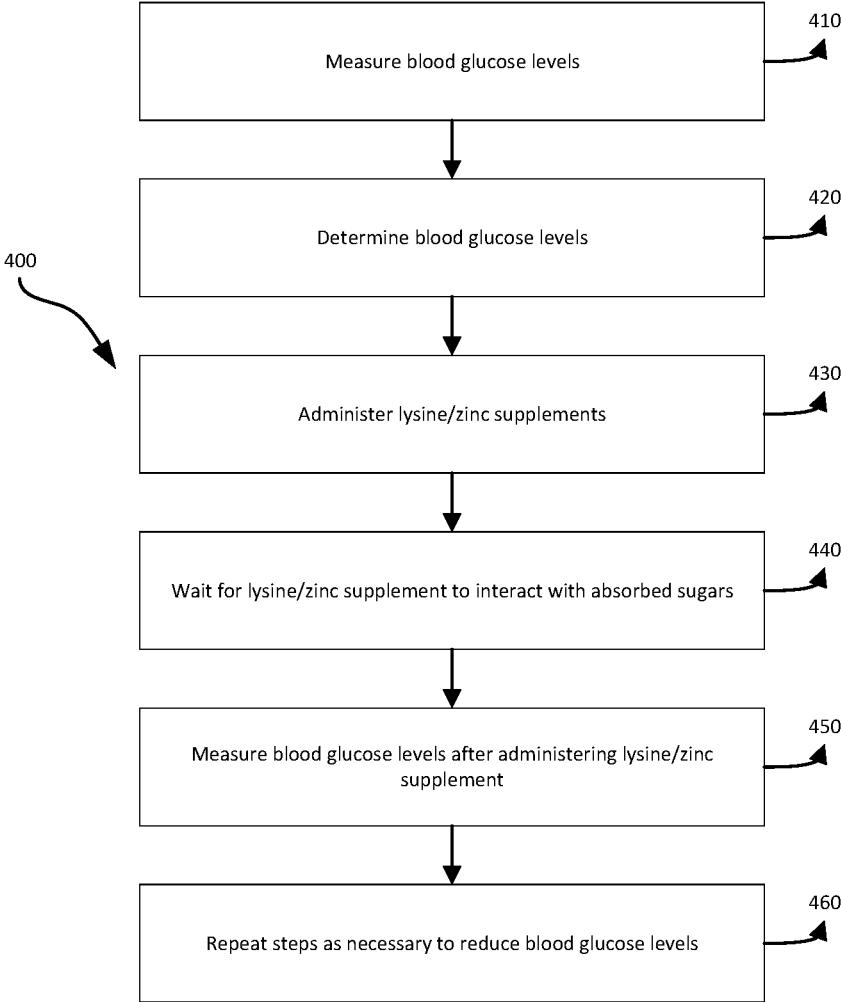


FIG. 4

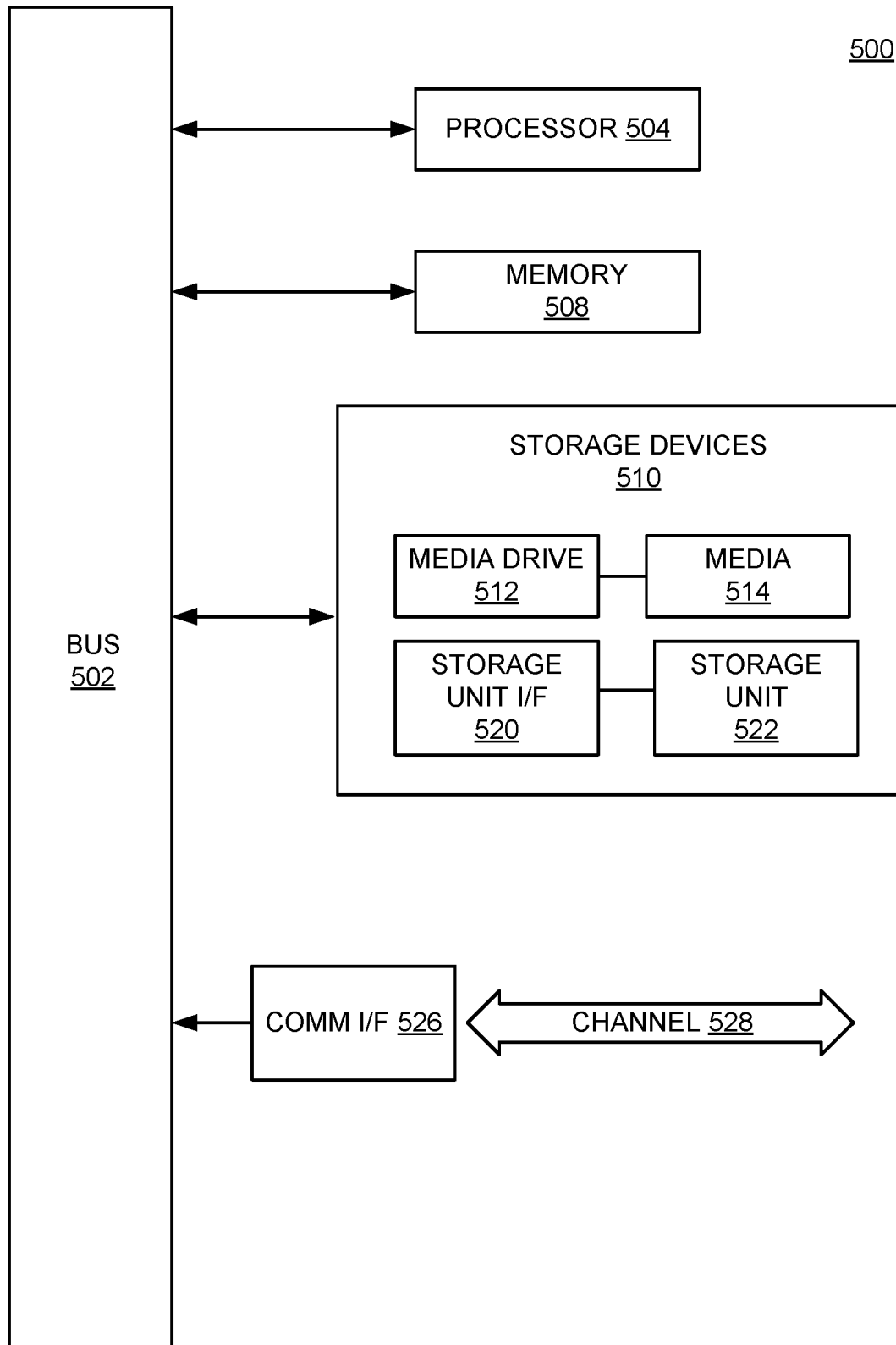


FIG. 5

PREVENTION OF PROTEIN GLYCATION USING LYSINE/ZINC SUPPLEMENTS

RELATED APPLICATIONS

This application claims the benefit of U.S. Provisional Patent Application No. 62/581,573, filed on Nov. 3, 2017, the content of which is incorporated herein by reference in its entirety.

FIELD OF THE INVENTION

The present disclosure is generally related to regulating blood sugar levels, and more specifically, embodiments of the present disclosure related to the prevention of protein glycation using supplements containing lysine and zinc, which may help reduce higher levels of glycated hemoglobin and help prevent advanced glycation end products (AGEs).

BACKGROUND

Glycation is the bonding of a simple sugar to a protein or lipid molecule. Glycation may be either exogenous (i.e., outside the body) or endogenous (i.e., inside the body). Endogenous glycation mainly occurs in the bloodstream to absorbed simple sugars, such as glucose, fructose, and galactose. Glycation is the first change of these molecules in a slow multi-step process which leads to advanced glycation end products (AGEs). Because AGEs are irreversible end products of a glycation process, stopping the glycation process before AGEs form is important. AGEs may be benign, but many are implicated in many age-related chronic diseases such as diabetes, cardiovascular diseases, Alzheimer's disease, cancer, chronic kidney disease, atherosclerosis, peripheral neuropathy, and other sensory losses such as deafness. Preventing this process may also help regulate blood sugar levels of people with diabetes.

BRIEF DESCRIPTION OF THE DRAWINGS

The present disclosure, in accordance with one or more various embodiments, is described in detail with reference to the following figures. The drawings are provided for purposes of illustration only and merely depict typical or example embodiments of the invention. These drawings are provided to facilitate the reader's understanding of the invention and shall not be considered limiting of the breadth, scope, or applicability of the invention.

FIG. 1 is a diagram illustrating an example of endogenous glycation, consistent with embodiments disclosed herein.

FIG. 2 is a diagram illustrating an example of glycation occurring with a supplement containing lysine and zinc, consistent with embodiments disclosed herein.

FIG. 3 is a flow chart illustrating an example method of monitoring the effectiveness of lysine/zinc supplements from a bio-sample, consistent with embodiments disclosed herein.

FIG. 4 is a flow chart illustrating an example method of treating diabetes using lysine/zinc supplements, consistent with embodiments disclosed herein.

FIG. 5 is a diagram illustrating an exemplary computing module that may be used to implement any of the embodiments disclosed herein.

These figures are not intended to be exhaustive or to limit the invention to the precise form disclosed. It should be understood that the invention can be practiced with modi-

fications and alteration, and that the invention be limited only by the claims and the equivalents thereof.

DETAILED DESCRIPTION OF THE EMBODIMENTS OF THE INVENTION

The present disclosure is directed towards prevention of protein glycation using supplements containing lysine and zinc. More specifically, embodiments disclosed herein are directed towards methods for detecting the effectiveness of lysine/zinc supplements in competing with existing protein and lipid molecules settled within the body to reduce the number of glycated proteins and to prevent AGEs. It can be demonstrated that the supplements may interact with simple sugars that might otherwise interact with existing protein to create glycated proteins and AGEs that lead to various chronic health problems. The effectiveness of the lysine/zinc supplements may be measured through a bio-sample, such as blood test for hemoglobin A1c. It has been determined that the inclusion of zinc significantly increases the efficacy of a supplement containing only lysine. The inclusion of zinc allows for the reduction in dosage/pill size with same or better results.

FIG. 1 is a diagram illustrating an example of endogenous glycation. As illustrated in FIG. 1, the absorbed simple sugars **100** may include glucose. As is known in the art, the simple sugars may also include fructose and galactose. Fructose experiences up to ten times the amount of glycation activity compared to glucose. As an example, FIG. 1 illustrates the structural formula for glucose. Simple sugar **100** may interact with a protein molecule **110** resulting in endogenous glycation **120**. As an example, the general structural formula for an amino acid is also illustrated in FIG. 1. Various other proteins may interact with the simple sugar **100**. In another embodiment, various lipid molecules may interact with the simple sugar **100**. In particular, with endogenous glycation, the covalent bonding between simple sugar **100** and protein molecule **110** may occur without the control of an enzyme. Endogenous glycation occurs mainly in the bloodstream.

Glycation **130** may be a first step before these new molecules undergo post glycation reactions **140**, such as Schiff base and Amadori reactions. For example, the aldehyde group of a glucose molecule may combine with the amino group of a L-lysine molecule, from a protein molecule, to form a Schiff base. In essence, a double bond may be formed between the glucose's carbon atoms and the lysine's nitrogen atoms. The Amadori product rearranges the formation of the Schiff base. As a result, AGEs **150** may be formed. For example, when an Amadori product may be oxidized, AGEs **150** are formed. While some AGEs are benign, others may contribute to cardiovascular disease, kidney disease, cancer, and other chronic diseases associated with diabetes.

FIG. 2 is a diagram illustrating an example of glycation occurring with a supplement containing lysine and zinc. In this case, the simple sugars **200** interact with the lysine/zinc supplement **210** instead of the protein molecule **110**. As described above, Schiff bases form when the amino group of a lysine molecule, which is a part of a protein molecule, covalently bond with the aldehyde group of a glucose molecule. However, when a supplement containing lysine is administered, the aldehyde group of a glucose molecule may bind to the lysine instead of the lysine molecule portion of the protein molecule. The supplement may contain D-lysine or L-lysine. Glycation **220** may occur, but AGEs are prevented from occurring within the body, and glycated hemo-

globin may be reduced. Even if Amadori products occur and AGEs form, they are not introduced into the body because the glycated lysine may be harmlessly removed through the urine. As set forth herein, it has been determined that the inclusion of zinc significantly increases the efficacy of a supplement containing lysine, thereby allowing for a significant reduction in dosage/pill size with same or better results. In some embodiments, a dietary supplement may include a combination of lysine, zinc, and other nutritional supplements, e.g., vitamin C, vitamin B12, vitamin E, or other nutritional supplements. For example, a dietary supplement including lysine and vitamin C may improve immune system functionality and lower glucose levels

FIG. 3 is a flow chart illustrating an example method of monitoring the effectiveness of lysine/zinc supplements from a bio-sample 300. For example, method 300 may include administering a lysine/zinc supplement at step 310. The lysine/zinc supplement may be administered in a pill, gummy, tablet, shake, capsule, liquid extract, drink, or nutritional bar medium. The lysine/zinc supplement may also come in various other mediums. The lysine portion of the lysine/zinc supplement may be D-lysine or L-lysine. D-lysine, is not naturally produced within the body, and has similar chemical characteristics to L-lysine. Simple sugars may interact with D- and L-lysine in lieu of free amino groups in structural proteins within the system. L-lysine occurs naturally in the body. Naturally occurring L-lysine may be a side-chain residue of ingested protein. L-lysine may have a bitter and/or sweet taste, making it more suitable for particular supplement mediums.

Method 300 may also include monitoring the effectiveness of the lysine/zinc supplement at step 320. In some embodiments, effectiveness of the lysine treatment may be monitored by analyzing blood or urine samples. The glycated lysine may harmlessly pass through the urine upon interacting with simple sugars. A urine sample may be obtained and analyzed using a fructosamine test that measures glycated lysine. In other embodiments, a urine sample can be analyzed using a visual test. For example, some urine tests may expose the urine sample to a reagent which causes a color change indicating the concentration range of lysine within the urine. In some embodiments, a more precise test may be used to indicate quantitative levels of glycated lysine in the urine sample. In addition, the urine sample may also be used to monitor blood sugar control, particularly useful for people with diabetes. As the lysine/zinc supplement interacts with sugar, less hemoglobin may be glycated as a result. As a result, blood glucose levels and HbA1c levels may decrease.

In another embodiment, the lysine concentration may be monitored using an automatic reader. For example, an optical reader on a smartphone may be used to capture the lysine concentration measurements taken on a test. An optical reader may include a camera on a smartphone. The measurement may be captured by the optical reader using the test where the glycated lysine concentration was measured. In some embodiments, the value may be manually input into the automatic reader. An optical reader may capture the measurement and transmit the measurement to a data store. Depending on this value, the automatic reader may provide notifications on whether lysine supplements are appropriate to administer. The notification may include a pop-up, a vibration, or a noise. The notifications may continue over time. The period between notifications may increase over time. The notifications may be stopped by user

input. As more data is stored, a more precise dosage of lysine supplements may be determined to be taken over a period of time.

Method 300 may also include determining any change in the dosage of the lysine/zinc supplement, if necessary, as in step 330. In one embodiment, a visual cue test may help determine whether more or less lysine/zinc supplements may need to be taken. In another embodiment, a specific value on a test may indicate whether more or less lysine supplements should be taken.

FIG. 4 is a flow chart illustrating an example method of treating diabetes using lysine/zinc supplements 400. For example, method 400 may include measuring the current blood glucose level from a test at step 410. The test may include a fingerprick test that quantitatively indicates a blood glucose level. Method 400 may also include determining blood glucose level at step 420. Using the blood glucose level measurement from step 410, it may be determined that the blood glucose level is too high. Method 400 may also include administering lysine/zinc supplements, based on blood glucose level at step 430. If the blood glucose level is too high, it may be appropriate to administer lysine/zinc supplements. The supplement may be administered in a pill, gummy form, tablet, powder for a shake, capsule, liquid extract, drink, or nutritional bar medium. The lysine/zinc supplement may also come in various other mediums. The appropriate dosage will depend on the measured blood glucose level.

Method 400 may also include waiting for lysine to interact with absorbed sugars at step 440. After administering the lysine/zinc supplement, a period of time should pass to allow the supplement to interact with the sugar. Method 400 may also include measuring blood glucose level after administering lysine/zinc supplement at step 450. After the appropriate period of time, the blood glucose level may be tested again to monitor any changes before and after the supplement was taken. If blood glucose levels are within an appropriate range, no more supplements may need to be taken. Method 400 may also include repeating the above steps as necessary to reduce blood glucose levels at step 460. If the measured blood glucose level taken after the lysine/zinc supplement is not within an appropriate range, additional supplements may need to be taken to reduce blood glucose levels.

As used herein, the terms logical circuit and engine might describe a given unit of functionality that may be performed in accordance with one or more embodiments of the technology disclosed herein. As used herein, either a logical circuit or an engine might be implemented utilizing any form of hardware, software, or a combination thereof. For example, one or more processors, controllers, ASICs, PLAs, PALs, CPLDs, FPGAs, logical components, software routines or other mechanisms might be implemented to make up an engine. In implementation, the various engines described herein might be implemented as discrete engines or the functions and features described may be shared in part or in total among one or more engines. In other words, as would be apparent to one of ordinary skill in the art after reading this description, the various features and functionality described herein may be implemented in any given application and may be implemented in one or more separate or shared engines in various combinations and permutations. Even though various features or elements of functionality may be individually described or claimed as separate engines, one of ordinary skill in the art will understand that these features and functionality may be shared among one or more common software and hardware elements, and such

description shall not require or imply that separate hardware or software components are used to implement such features or functionality.

Where components, logical circuits, or engines of the technology are implemented in whole or in part using software, in one embodiment, these software elements may be implemented to operate with a computing or logical circuit capable of carrying out the functionality described with respect thereto. One such example logical circuit is shown in FIG. 5. Various embodiments are described in terms of this example logical circuit 500. After reading this description, it will become apparent to a person skilled in the relevant art how to implement the technology using other logical circuits or architectures.

Referring now to FIG. 5, computing system 500 may represent, for example, computing or processing capabilities found within desktop, laptop and notebook computers; hand-held computing devices (PDA's, smart phones, cell phones, palmtops, etc.); mainframes, supercomputers, workstations or servers; or any other type of special-purpose or general-purpose computing devices as may be desirable or appropriate for a given application or environment. Logical circuit 500 might also represent computing capabilities embedded within or otherwise available to a given device. For example, a logical circuit might be found in other electronic devices such as, for example, digital cameras, navigation systems, cellular telephones, portable computing devices, modems, routers, WAPs, terminals and other electronic devices that might include some form of processing capability.

Computing system 500 might include, for example, one or more processors, controllers, control engines, or other processing devices, such as a processor 504. Processor 504 might be implemented using a general-purpose or special-purpose processing engine such as, for example, a micro-processor, controller, or other control logic. In the illustrated example, processor 504 is connected to a bus 502, although any communication medium may be used to facilitate interaction with other components of logical circuit 500 or to communicate externally.

Computing system 500 might also include one or more memory engines, simply referred to herein as main memory 508. For example, preferably random access memory (RAM) or other dynamic memory, might be used for storing information and instructions to be executed by processor 504. Main memory 508 might also be used for storing temporary variables or other intermediate information during execution of instructions to be executed by processor 504. Logical circuit 500 might likewise include a read only memory ("ROM") or other static storage device coupled to bus 502 for storing static information and instructions for processor 504.

The computing system 500 might also include one or more various forms of information storage mechanism 510, which might include, for example, a media drive 512 and a storage unit interface 520. The media drive 512 might include a drive or other mechanism to support fixed or removable storage media 514. For example, a hard disk drive, a floppy disk drive, a magnetic tape drive, an optical disk drive, a CD or DVD drive (R or RW), or other removable or fixed media drive might be provided. Accordingly, storage media 514 might include, for example, a hard disk, a floppy disk, magnetic tape, cartridge, optical disk, a CD or DVD, or other fixed or removable medium that is read by, written to or accessed by media drive 512. As these

examples illustrate, the storage media 514 can include a computer usable storage medium having stored therein computer software or data.

In alternative embodiments, information storage mechanism 510 might include other similar instrumentalities for allowing computer programs or other instructions or data to be loaded into logical circuit 500. Such instrumentalities might include, for example, a fixed or removable storage unit 522 and an interface 520. Examples of such storage units 522 and interfaces 520 can include a program cartridge and cartridge interface, a removable memory (for example, a flash memory or other removable memory engine) and memory slot, a PCMCIA slot and card, and other fixed or removable storage units 522 and interfaces 520 that allow software and data to be transferred from the storage unit 522 to logical circuit 500.

Logical circuit 500 might also include a communications interface 526. Communications interface 526 might be used to allow software and data to be transferred between logical circuit 500 and external devices. Examples of communications interface 526 might include a modem or softmodem, a network interface (such as an Ethernet, network interface card, WiMedia, IEEE 802.XX or other interface), a communications port (such as for example, a USB port, IR port, RS232 port Bluetooth® interface, or other port), or other communications interface. Software and data transferred via communications interface 526 might typically be carried on signals, which can be electronic, electromagnetic (which includes optical) or other signals capable of being exchanged by a given communications interface 526. These signals might be provided to communications interface 526 via a channel 528. This channel 528 might carry signals and might be implemented using a wired or wireless communication medium. Some examples of a channel might include a phone line, a cellular link, an RF link, an optical link, a network interface, a local or wide area network, and other wired or wireless communications channels.

In this document, the terms "computer program medium" and "computer usable medium" are used to generally refer to media such as, for example, memory 508, storage unit 520, media 514, and channel 528. These and other various forms of computer program media or computer usable media may be involved in carrying one or more sequences of one or more instructions to a processing device for execution. Such instructions embodied on the medium, are generally referred to as "computer program code" or a "computer program product" (which may be grouped in the form of computer programs or other groupings). When executed, such instructions might enable the logical circuit 500 to perform features or functions of the disclosed technology as discussed herein.

Although FIG. 5 depicts a computer network, it is understood that the disclosure is not limited to operation with a computer network, but rather, the disclosure may be practiced in any suitable electronic device. Accordingly, the computer network depicted in FIG. 5 is for illustrative purposes only and thus is not meant to limit the disclosure in any respect.

While various embodiments of the disclosed technology have been described above, it should be understood that they have been presented by way of example only, and not of limitation. Likewise, the various diagrams may depict an example architectural or other configuration for the disclosed technology, which is done to aid in understanding the features and functionality that can be included in the disclosed technology. The disclosed technology is not restricted to the illustrated example architectures or configurations, but

the desired features can be implemented using a variety of alternative architectures and configurations. Indeed, it will be apparent to one of skill in the art how alternative functional, logical or physical partitioning and configurations can be implemented to implement the desired features of the technology disclosed herein. Also, a multitude of different constituent engine names other than those depicted herein can be applied to the various partitions.

Additionally, with regard to flow diagrams, operational descriptions and method claims, the order in which the steps are presented herein shall not mandate that various embodiments be implemented to perform the recited functionality in the same order unless the context dictates otherwise.

Although the disclosed technology is described above in terms of various exemplary embodiments and implementations, it should be understood that the various features, aspects and functionality described in one or more of the individual embodiments are not limited in their applicability to the particular embodiment with which they are described, but instead can be applied, alone or in various combinations, to one or more of the other embodiments of the disclosed technology, whether or not such embodiments are described and whether or not such features are presented as being a part of a described embodiment. Thus, the breadth and scope of the technology disclosed herein should not be limited by any of the above-described exemplary embodiments.

Terms and phrases used in this document, and variations thereof, unless otherwise expressly stated, should be construed as open ended as opposed to limiting. As examples of the foregoing: the term “including” should be read as meaning “including, without limitation” or the like; the term “example” is used to provide exemplary instances of the item in discussion, not an exhaustive or limiting list thereof; the terms “a” or “an” should be read as meaning “at least one,” “one or more” or the like; and adjectives such as “conventional,” “traditional,” “normal,” “standard,” “known” and terms of similar meaning should not be construed as limiting the item described to a given time period or to an item available as of a given time, but instead should be read to encompass conventional, traditional, normal, or standard technologies that may be available or known now or at any time in the future. Likewise, where this document refers to technologies that would be apparent or known to one of ordinary skill in the art, such technologies encompass those apparent or known to the skilled artisan now or at any time in the future.

The presence of broadening words and phrases such as “one or more,” “at least,” “but not limited to” or other like phrases in some instances shall not be read to mean that the

narrower case is intended or required in instances where such broadening phrases may be absent. The use of the term “engine” does not imply that the components or functionality described or claimed as part of the engine are all configured in a common package. Indeed, any or all of the various components of an engine, whether control logic or other components, can be combined in a single package or separately maintained and can further be distributed in multiple groupings or packages or across multiple locations.

Additionally, the various embodiments set forth herein are described in terms of exemplary block diagrams, flow charts and other illustrations. As will become apparent to one of ordinary skill in the art after reading this document, the illustrated embodiments and their various alternatives can be implemented without confinement to the illustrated examples. For example, block diagrams and their accompanying description should not be construed as mandating a particular architecture or configuration.

What is claimed is:

1. A method of monitoring blood sugar control, the method comprising:
 - administering a supplement consisting of lysine and zinc to a user;
 - monitoring a concentration of glucose before and after the supplement is administered in a bio-sample; and
 - determining a change in a dose of the supplement based on the concentration of glucose found in the bio-sample.
2. The method of claim 1, wherein a lysine portion of the supplement comprises D-lysine.
3. The method of claim 1, wherein a lysine portion of the supplement comprises L-lysine.
4. The method of claim 1, wherein monitoring the concentration of glucose comprises analyzing blood samples.
5. The method of claim 1, wherein monitoring the concentration of glucose comprises analyzing urine samples.
6. The method of claim 1, further comprising providing a notification on an automatic reader regarding a precise dosage of supplement to be administered.
7. The method of claim 6, wherein the notification comprises a pop-up, a vibration, or a noise.
8. The method of claim 1, wherein determining a change in dose comprises using a visual test to determine an amount of supplements to be administered, wherein the visual test comprises exposing the bio-sample to a reagent that causes a visible indication of a concentration range of glycated lysine within the bio-sample.

* * * * *